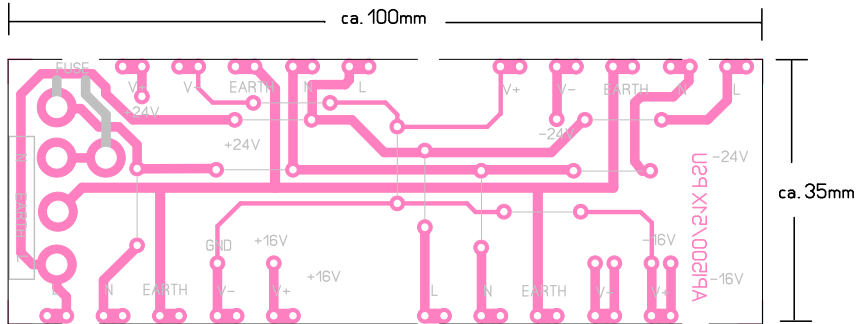
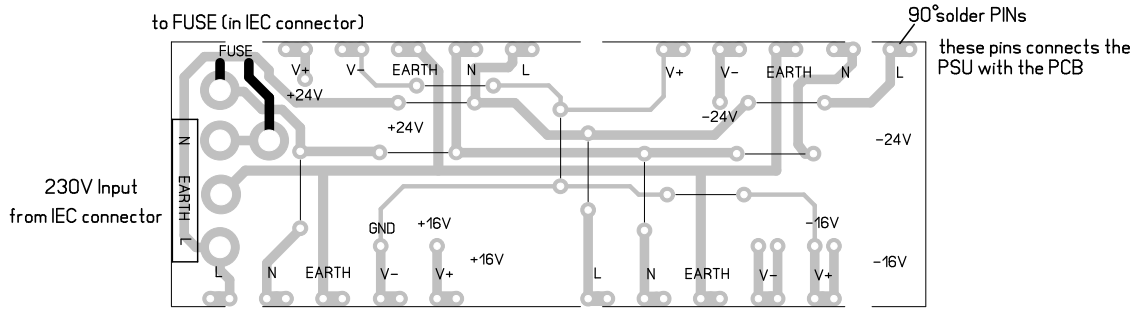


API500/51X PSU PCB

This PCB interconnects the PSUs so that you don't need to use wires to make the connections between the PSUs yourselves
 (you can make these connections with wires yourselves so that you don't need this pcb)



REAR SIDE VIEW OF THE PSU

